



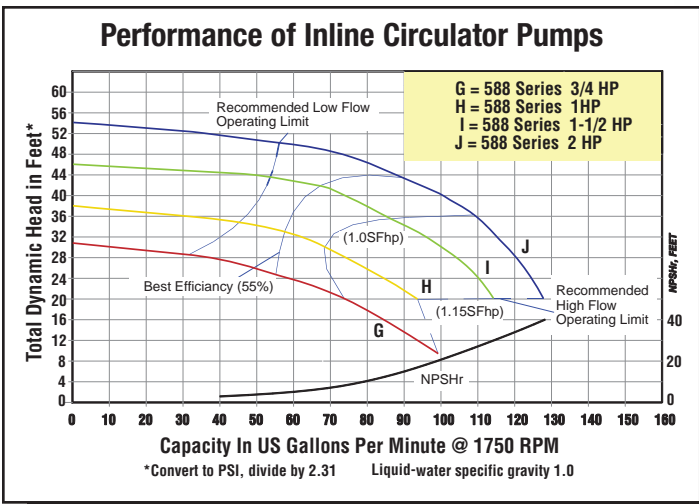
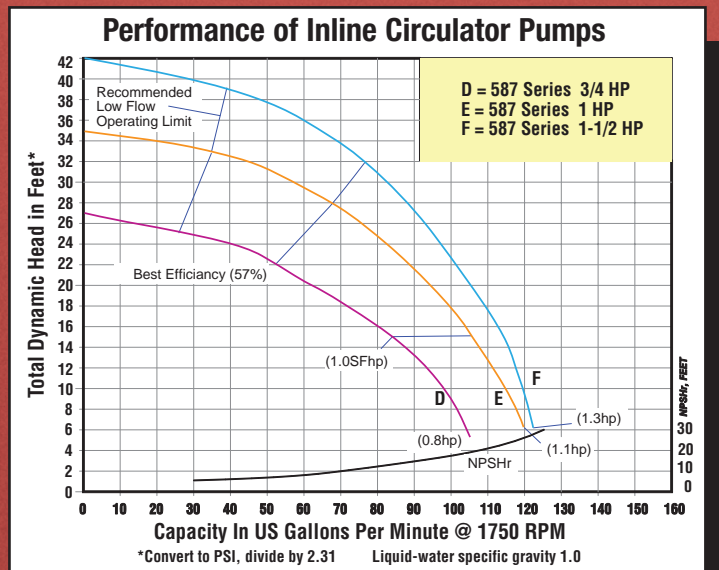
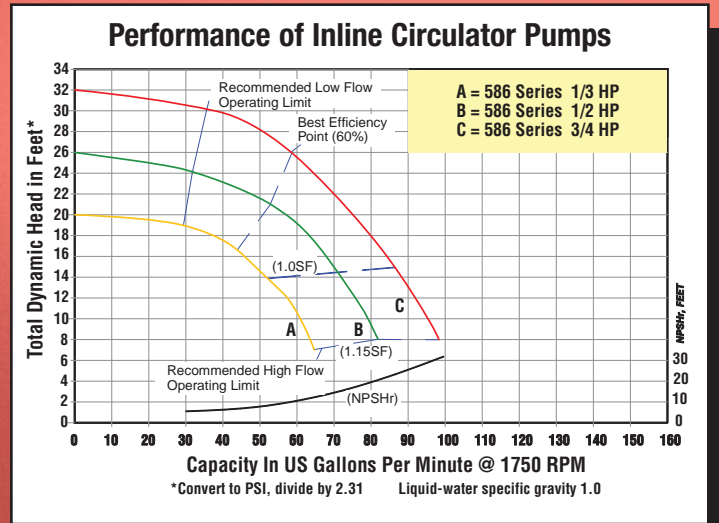
Inline 1-1/2" Circulator Pumps

- **Cast Iron or Silicon Bronze Construction**
- **EPDM Mechanical Seal and Casing O-ring Standard**
- **Optional Viton® Mechanical Seal and O-ring**
- **Silicon Bronze Impeller**
- **Includes Mounting Flange Kit for 1-1/2" NPT**
- **Special Flange Designed to Accept B&G Flange or Standard 150lb 4-Bolt Flange**
- **Max. Water Temperature 225°F (107°C)**
- **Max. Flow 130 GPM**
- **Max. Head 53 ft. (23 PSI)**
- **1/8" NPT Seal Wash/Vent Port**
- **Single Phase or Three Phase TEFC 56C Motor**

Patterson Inline Circulator Pumps are designed for continuous duty industrial/commercial systems. Pumps are available in a variety of material configurations to meet your specifications. Pumps are powered by a 56C NEMA Totally Enclosed Fan Cooled (TEFC) frame electric motor with 1/2" conduit connection. Pumps are interchangeable with other manufacturers. Maximum working pressure 150 PSI. For use with non-flammable liquids which are compatible with pump component materials.



**5860-95
Cast Iron
Circulator Pump**



Viton® is a registered trademark of E.I. DuPont

Inline 1-1/2" Centrifugal Circulator Pumps

Pump Dimensional & Specification Data

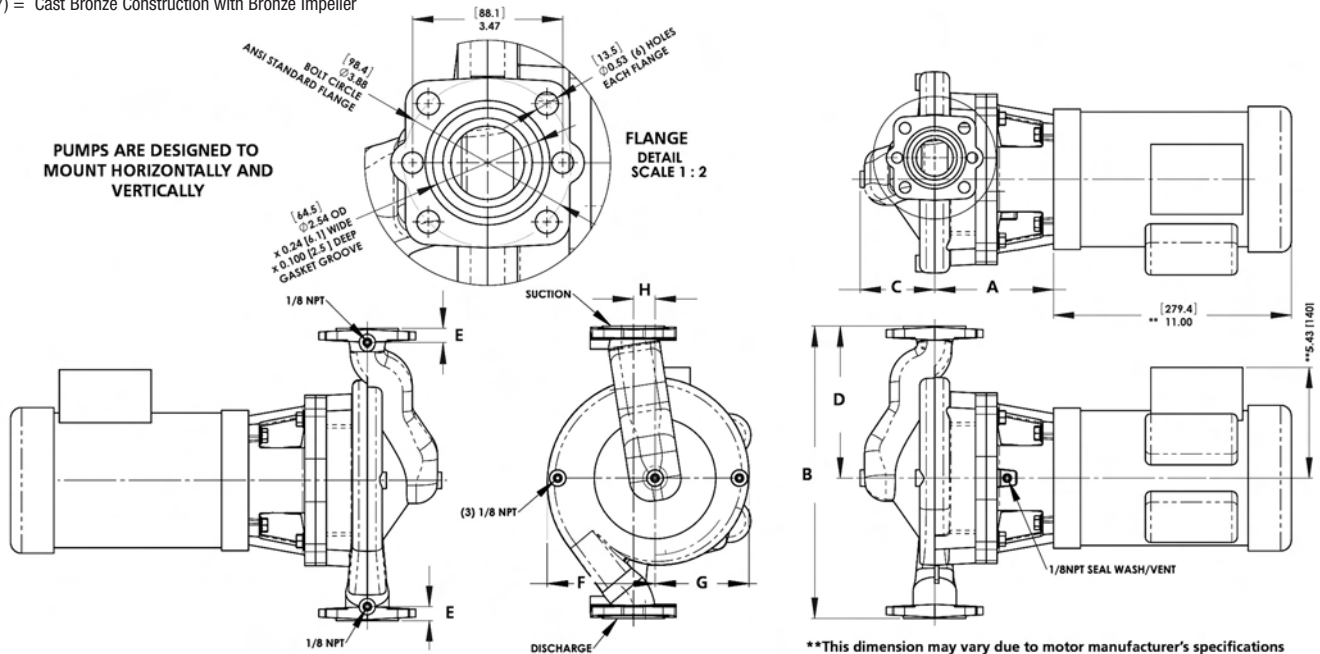
AMT Cast Iron Model	Ship Wt. (lbs.)	Curve	AMT Bronze Model	Ship Wt. (lbs.)	HP	PH	ENC	VAC 60 Hz	FL AMPS	A	B	C	D	E	F	G	H	B&G C. Iron Equiv.	B&G Bronze Equiv.
5864-95	76	A	5864-97	80	1/3	1	TEFC	115/230	7/4	5.4	11.5	3.1	6.5	0.5	4	4	1.4	607S	B607S
5865-95	73	A	5865-97	77	1/3	3	TEFC	230/460	2/1	5.4	11.5	3.1	6.5	0.5	4	4	1.4	607T	B607T
5862-95	80	B	5862-97	84	1/2	1	TEFC	115/230	9/5	5.4	11.5	3.1	6.5	0.5	4	4	1.4	608S	B608S
5863-95	76	B	5863-97	80	1/2	3	TEFC	230/460	3/2	5.4	11.5	3.1	6.5	0.5	4	4	1.4	608T	B608T
5860-95	86	C	5860-97	90	3/4	1	TEFC	115/230	12/6	5.4	11.5	3.1	6.5	0.5	4	4	1.4	609S	B609S
5861-95	80	C	5861-97	84	3/4	3	TEFC	230/460	3/2	5.4	11.5	3.1	6.5	0.5	4	4	1.4	609T	B609T
5874-95	83	D	5874-97	87	3/4	1	TEFC	115/230	12/6	5.4	13.5	3.6	7	0.7	4.6	4	1	621S	B621S
5875-95	82	D	5875-97	86	3/4	3	TEFC	230/460	3/2	5.4	13.5	3.6	7	0.7	4.6	4	1	621T	B621T
5872-95	88	E	5872-97	92	1	1	TEFC	115/230	14/7	5.4	13.5	3.6	7	0.7	4.6	4	1	613S	B613S
5873-95	86	E	5873-97	90	1	3	TEFC	230/460	4/2	5.4	13.5	3.6	7	0.7	4.6	4	1	613T	B613T
5870-95	98	F	5870-97	102	1.5	1	TEFC	115/230	17/9	5.4	13.5	3.6	7	0.7	4.6	4	1	614S	B614S
5871-95	90	F	5871-97	94	1.5	3	TEFC	230/460	5/3	5.4	13.5	3.6	7	0.7	4.6	4	1	614T	B614T
5886-95	84	G	5886-97	89	3/4	1	TEFC	115/230	12/6	5.5	13.5	3.4	7	0.7	5	4.3	1	622S	B622S
5887-95	82	G	5887-97	87	3/4	3	TEFC	230/460	3/2	5.5	13.5	3.4	7	0.7	5	4.3	1	622T	B622T
5884-95	89	H	5884-97	94	1	1	TEFC	115/230	14/7	5.5	13.5	3.4	7	0.7	5	4.3	1	623S	B623S
5885-95	87	H	5885-97	92	1	3	TEFC	230/460	4/2	5.5	13.5	3.4	7	0.7	5	4.3	1	623T	B623T
5882-95	99	I	5882-97	104	1.5	1	TEFC	115/230	17/9	5.5	13.5	3.4	7	0.7	5	4.3	1	617S	B617S
5883-95	91	I	5883-97	96	1.5	3	TEFC	230/460	5/3	5.5	13.5	3.4	7	0.7	5	4.3	1	617T	B617T
5880-95	100	J	5880-97	105	2	1	TEFC	115/230	22/11	5.5	13.5	3.4	7	0.7	5	4.3	1	618S	B618S
5881-95	92	J	5881-97	97	2	3	TEFC	230/460	6/3	5.5	13.5	3.4	7	0.7	5	4.3	1	618T	B618T

NOTE: Electric supply for all motors must be within $\pm 10\%$ of nameplate voltage rating (Ex. 230V $\pm 10\%$ = 207 to 253)

NOTE: Dimensions have a tolerance of $\pm 1/8"$

XCI (-95) = Cast Iron Construction with Bronze Impeller

XB (-97) = Cast Bronze Construction with Bronze Impeller



Standard Features

- Includes Mounting flange Kit for 1-1/2" NPT; includes (2) flanges, (2) gaskets and fasteners
- Special flange designed to accept B&G flange or standard 150 lb 4 bolt flanges
- 1/8" NPT seal wash/vent port
- EPDM Mechanical Seal and Casing O-Ring Standard
- Optional Viton® Mechanical Seals and O-Rings Available
- Stainless Steel (300 Series) Sleeve protects stub shaft from liquid.
- Steel shaft with Sealed Ball Bearing design permits removal of motor without disconnecting pump or loss of liquid.
- High Efficiency Closed Bronze Impeller
- Available in either Single or Three Phase TEFC 56C Motors with standard NEMA mounting dimensions