



INDUSTRIAL DUTY

Straight Centrifugal Pumps

- Available in : 300 Series Investment Cast Stainless Steel, Cast Bronze and Cast Iron with Stainless Steel Impeller Construction
- Viton® Mechanical Seal and O-Ring with Stainless Steel and Bronze Models
- Buna-N Mechanical Seal and O-Ring with Cast Iron Models
- Optional Silicon Carbide Mechanical Seals Available
- Discharge Port Rotates in 90° Increments
- Maximum Working Pressure 75 PSI
- Max. Temperature 200°F
- Max. Flow 90 GPM
- Max. Head 65 Ft. (28 PSI)
- Self-cleaning, Semi-open Impellers
- Available with Totally Enclosed Fan Cooled (TEFC) 56J Motors
- 1/3 HP to 2 HP Single and Three Phase, 3450 RPM Motors



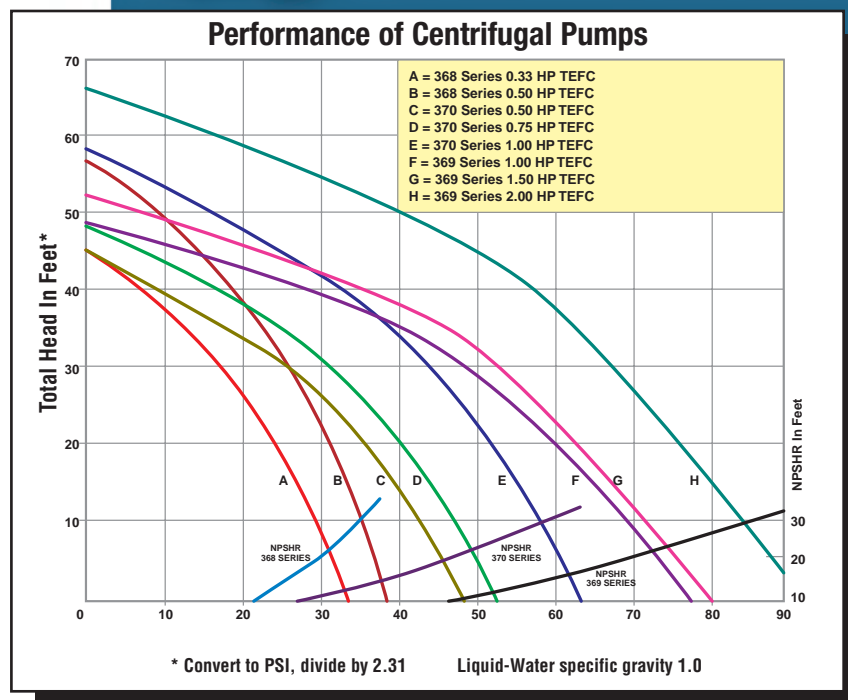
Bronze Centrifugal Pump



Stainless Steel Centrifugal Pump

This line of AMT Straight Centrifugal pumps is designed for continuous-duty low pressure OEM, Industrial/Commercial and General Service applications including circulation, chemical processing, liquid transfer and cooling. These durable and compact pumps are available in a variety of construction and seal materials to meet your specification. The line also features a wide selection of single and three phase TEFC motors, up to 2 horsepower. All models feature Type 6 mechanical seals and O-rings. Pull-from-the-rear design for easy service without disturbing any piping. Self-cleaning impellers to prevent clogging and minimize maintenance.

AMT Centrifugal pumps are reliable, cost effective and low maintenance. Many are readily available "Off-the Shelf" for fast 24 hour shipment. For use with non-flammable liquids compatible with pump component materials.



Viton® is a registered trademark of E.I. DuPont

Straight Centrifugal Pumps

Pump Dimensional & Specification Data

MODEL †	CURVE	HP	PH	ENG	60 HZ +	AMPS	SUC*	DIS*	AB**	CP**	L	X	Y	Z	ZZ	SHIPPING WT.		
																XCI † (-95)	XB † (-97)	XSS † (-98)
368A	A	1/3	1	TEFC	115/230	7 / 4	3/4"	1/2"	2.4	13.4	6.3	1.9	1.4	1.9	2.9	31 lbs.	32 lbs.	31 lbs.
368B	B	1/2	1	TEFC	115/230	9 / 5	3/4"	1/2"	2.4	13.3	6.3	1.9	1.4	1.9	2.9	33 lbs.	34 lbs.	33 lbs.
368C	B	1/2	3	TEFC	230/460	3 / 2	3/4"	1/2"	2.4	13.1	6.3	1.9	1.4	1.9	2.9	31 lbs.	32 lbs.	31 lbs.
370B	C	1/2	1	TEFC	115/230	9 / 5	1"	3/4"	3.0	13.3	6.3	2.4	1.4	2.1	3.3	33 lbs.	34 lbs.	33 lbs.
370F	C	1/2	3	TEFC	230/460	3 / 2	1"	3/4"	3.0	13.2	6.3	2.4	1.4	2.1	3.3	34 lbs.	35 lbs.	34 lbs.
370A	D	3/4	1	TEFC	115/230	9 / 5	1"	3/4"	3.0	13.8	6.3	2.4	1.4	2.1	3.3	37 lbs.	38 lbs.	37 lbs.
370C	D	3/4	3	TEFC	230/460	3 / 2	1"	3/4"	3.0	13.2	6.3	2.4	1.4	2.1	3.3	35 lbs.	36 lbs.	35 lbs.
370E	E	1	1	TEFC	115/230	12 / 6	1"	3/4"	3.0	15.1	6.3	2.4	1.3	2.1	3.3	39 lbs.	40 lbs.	39 lbs.
370D	E	1	3	TEFC	230/460	4 / 2	1"	3/4"	3.0	14.2	6.3	2.4	1.3	2.1	3.3	36 lbs.	37 lbs.	36 lbs.
369C	F	1	1	TEFC	115/230	12 / 6	1-1/4"	1"	3.0	14.2	6.3	2.5	1.3	2.0	3.4	40 lbs.	N/A.	40 lbs.
369F	F	1	3	TEFC	230/460	4 / 2	1-1/4"	1"	3.0	13.8	6.3	2.5	1.3	2.0	3.4	39 lbs.	N/A.	39 lbs.
369A	G	1-1/2	1	TEFC	115/230	18 / 9	1-1/4"	1"	3.0	15.1	6.3	2.5	1.3	2.0	3.4	48 lbs.	N/A.	48 lbs.
369B	G	1-1/2	3	TEFC	230/460	5 / 3	1-1/4"	1"	3.0	14.2	6.3	2.5	1.3	2.0	3.4	40 lbs.	N/A.	40 lbs.
369D	H	2	1	TEFC	115/230	22 / 11	1-1/4"	1"	3.0	15.4	6.3	2.5	1.3	2.0	3.4	52 lbs.	N/A.	52 lbs.
369E	H	2	3	TEFC	230/460	6 / 3	1-1/4"	1"	3.0	14.3	6.3	2.5	1.3	2.0	3.4	50 lbs.	N/A.	50 lbs.

(*) Standard NPT (female) pipe thread.

(**) This dimension may vary due to motor manufacturer's specifications.

(+) 3-Phase motors can also operate on 50 Hz. (This will change Full Load Amps, Service Factor and RPM)

NOTE: Dimensions have a tolerance of $\pm 1/8"$.

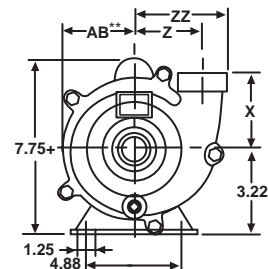
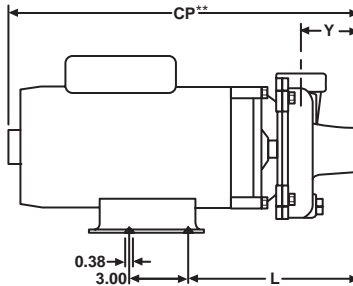
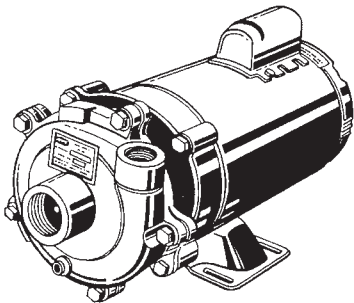
NOTE: Electric supply for ALL motors must be within $\pm 10\%$ of nameplate voltage rating (Ex. 230V $\pm 10\%$ = 207 to 253)

† When Ordering Add the Correct-9x Suffix to Model Number Indicating Material Selection (ex: 368A-95)

XCI (-95)=Cast Iron Construction with SS Impeller and Buna-N Seals, Max. Temperature 180°F

XB (-97)=Cast Bronze Construction with Viton® Seals, Max. Temperature 200°F

XSS (-98)=Stainless Steel Construction with Viton® Seals, Max. Temperature 200°F



Standard Features

- Stainless Steel, Bronze & Cast Iron Construction
- Buna-N or Viton® Mechanical Seals and O-Rings Depending on Model
- Stainless Steel Hardware
- NEMA 56J TEFC Single and Three Phase Motors
- Stainless Steel Motor Shaft
- NEMA Base Mounted Motor
- Self-cleaning Impeller
- Discharge Rotates in 90° Increments
- Maximum Working Pressure to 75 PSI
- Max. Temperature 200°F (Viton®), 180°F (Buna-N)
- Front Drain Plug
- "Off-the-Shelf" Availability for Many Models



Viton® is a registered trademark of E.I. DuPont

See price book pages 30 & 31

The Gorman-Rupp Company reserves the right to discontinue any model or change specifications at any time without incurring any obligation.

CP83-84/1208